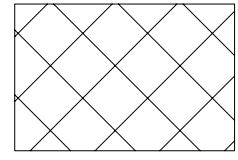
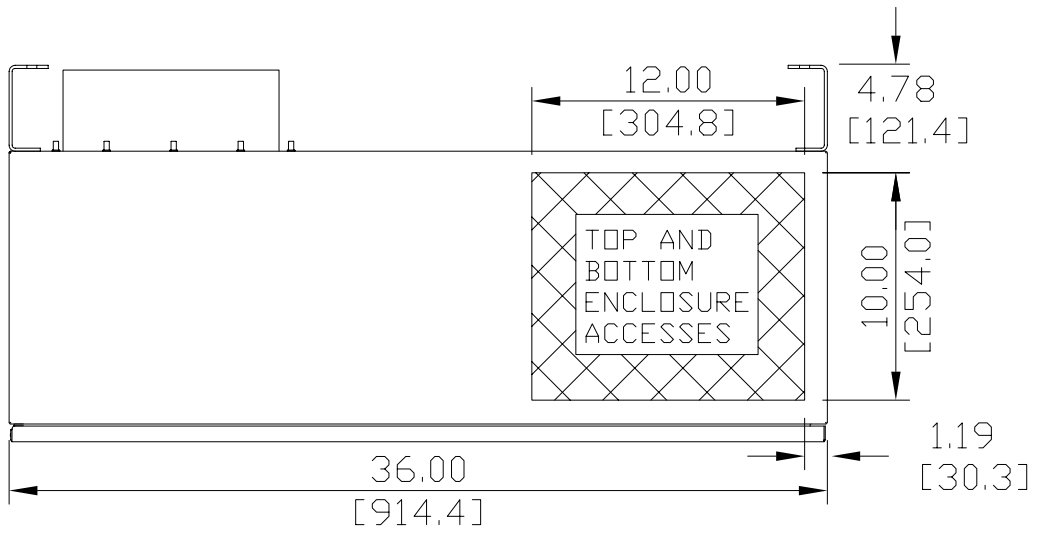


DIMENSIONS ARE IN INCHES [MILLIMETERS]



CONDUIT ACCESS

TOP AND BOTTOM ENCLOSURE ACCESSES

